

GH™ 833 Sprayers

311484H

ENG

For use with Architectural Coatings, Paints, Roof Coatings and Below Grade Coatings. For professional use only.

Model: 249318, 249617, 253471, 253472

4000 psi (27.6 MPa, 275.8 bar) Maximum Working Pressure



Important Safety Instructions. Read all warnings and instructions in operation and repair manuals. Save these instructions.

Korean patent 10-0647761

Related Manuals



311279



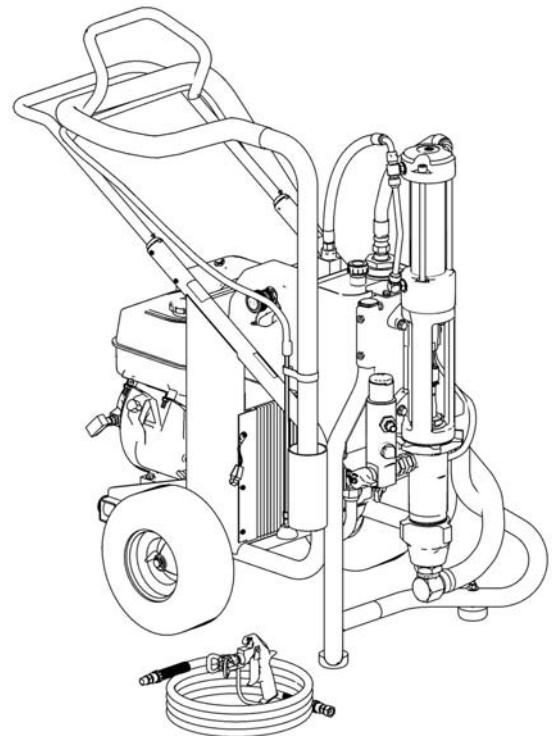
311283



311485



311254



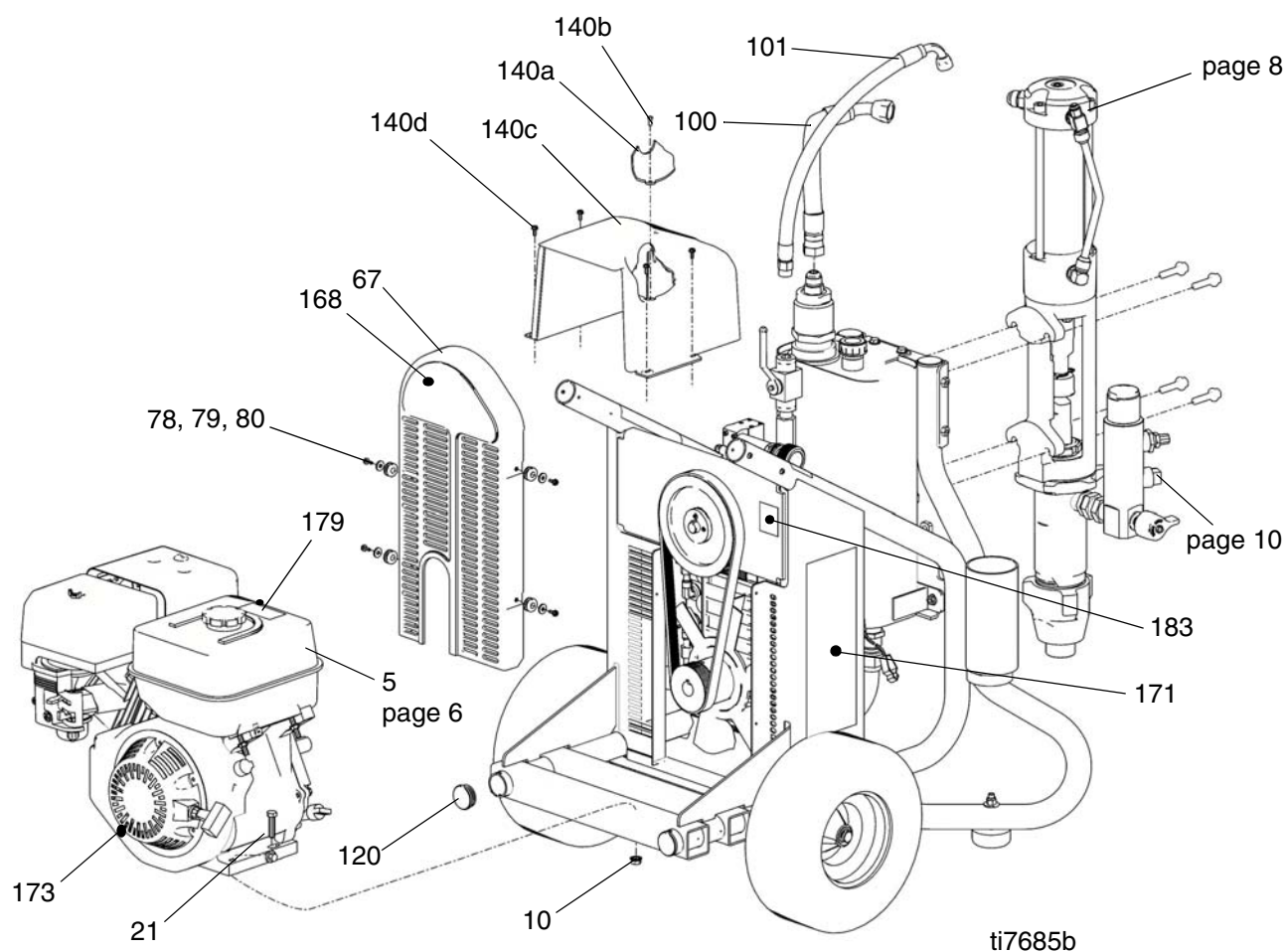
ti7107b

Ref.	Part	Description	Qty.	Ref.	Part	Description	Qty.
1	15G839	FRAME, GH833, painted	1	137	15G813	HOSE, coupled	1
2	119509	WHEEL, pneumatic	2	138	241920	DEFLECTOR, threaded	1
20	15G547	SPACER, axel	2	143	109032	SCREW, mach, pnh	4
22	154628	WASHER	2	144	112827	BUTTON, snap	2
23	120211	RING, retaining, e-ring	2	145	108068	PIN, spring straight	2
25	287797	KIT, handle, includes 92, 143, 144, 145, 146	1	146	116891	WASHER	2
32	120068	FITTING, hydraulic	1	147		KIT, suction hose, includes 148	1
68	801504	FOOT, rubber	2	147a	287916	standard, non-slvst res	1
69	100454	SCREW, cap hex hd	2	147b	287915	slvt rest, optional	1
70	100132	WASHER, flat	4	147c	287936	2-inch, non-slvst	1
71	101566	NUT, lock	2	148	237840	STRAINER	1
72	287925	COOLER, oil	1	153	15G541	TUBE, J suction	1
77	15H480	BAR, support	1	154	101818	CLAMP, hose	1
78	120339	WASHER, fender	4	166	222385	TAG, warning	1
79	C20474	SCREW, self taping	6	172▲	15G906	LABEL, lift here	2
84	110996	NUT, hex, flanged	2	176▲	195119	LABEL, warning	1
86	110963	SCREW, cap, flng hd	4	178▲	194317	LABEL, danger, English	1
89	120137	FILTER, suction	1	184▲	15F146	LABEL set	1
92	15G797	SLEEVE, handle, included in 25	2	199		KIT, gun and hose	1
95	237686	WIRE, ground assembly w/clam	1	199a❖	287850	silver, optional	1
102	124489	PLUG, pipe	1	199b	287851	flex, optional	1
115	245440	KIT, hose drain, includes 138	1	199c	287852	texture, hd, optional	1
116	206994	TSL, 8-oz	1				
120	120314	PLUG, tube	2				
128	198542	CLIP, spring	1				
129	287796	KIT, suction tube, includes 148	1				

▲ Replacement Danger and Warning labels, tags, and cards are available at no cost.

❖ Available with models 249617 and 253472 only.

Frame

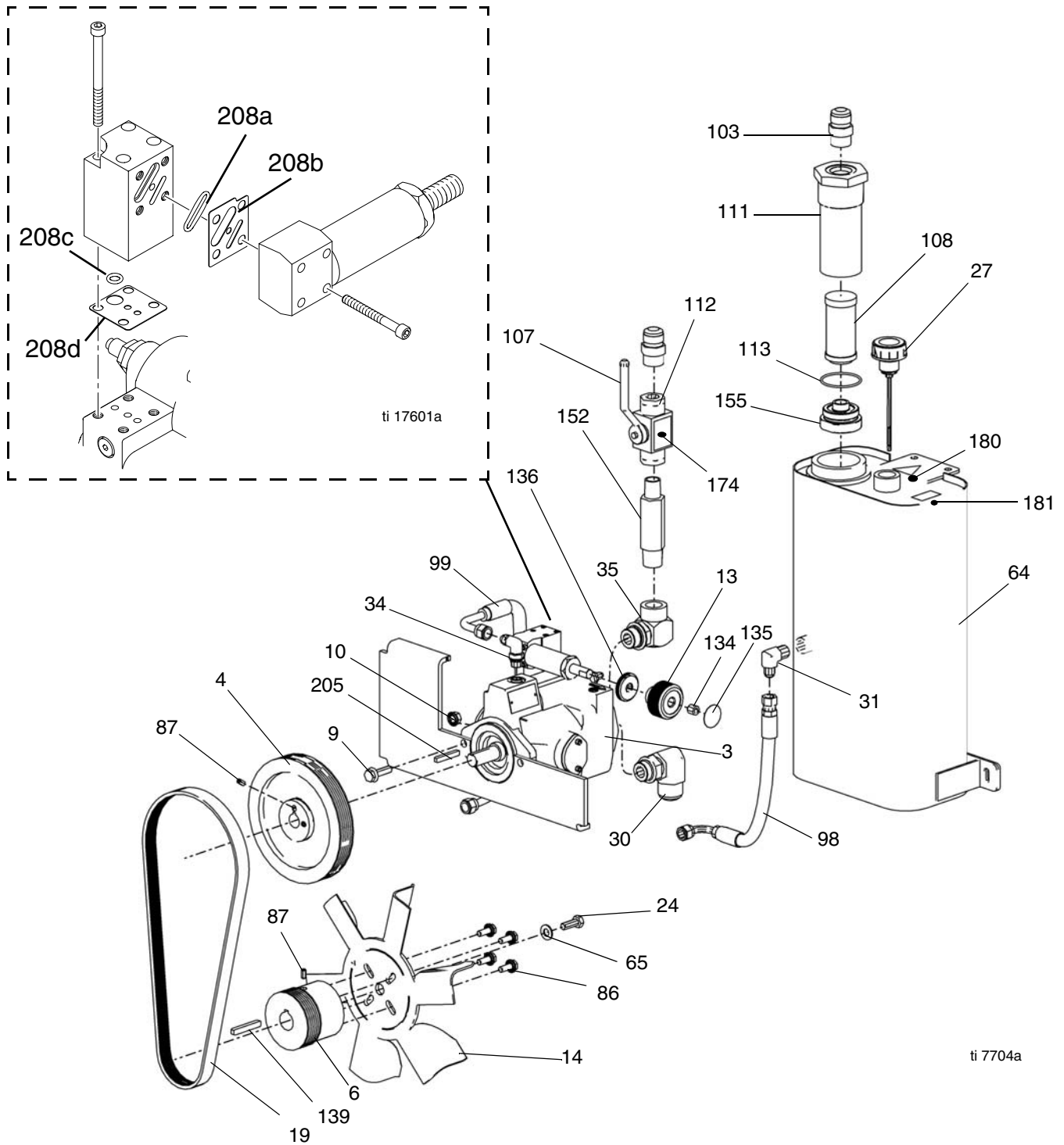


Ref.	Part	Description	Qty.
5	114703	ENGINE, gas, 13 hp, Honda	1
10	112958	NUT	1
21	116780	SCREW, hex hd, flanged	4
67	288099	KIT, cover, pulley fan, includes 78, 79, 80	1
78	120339	WASHER, fender	4
80	120415	GROMMET	4
100	15G781	HOSE, coupled	1
101	15G783	HOSE, coupled	1
120	120314	PLUG, tube	4
140	288098	KIT, cover, pump, includes 79	1
140a		COVER, pump, knob	1

Ref.	Part	Description	Qty.
140b		SCREW, hi/lo, phlps, pwhd	1
140c		COVER, hydr pump	1
140d		SCREW, self tapping	4
168	15G876	LABEL, back, GH833	1
171	15G879	LABEL, side, GH833	2
173	15G907	LABEL, Honda GX390 13 hp	1
179▲	194126	LABEL, warning	1
183▲	198492	LABEL, warning	1

▲ Replacement Danger and Warning labels, tags, and cards are available at no cost.

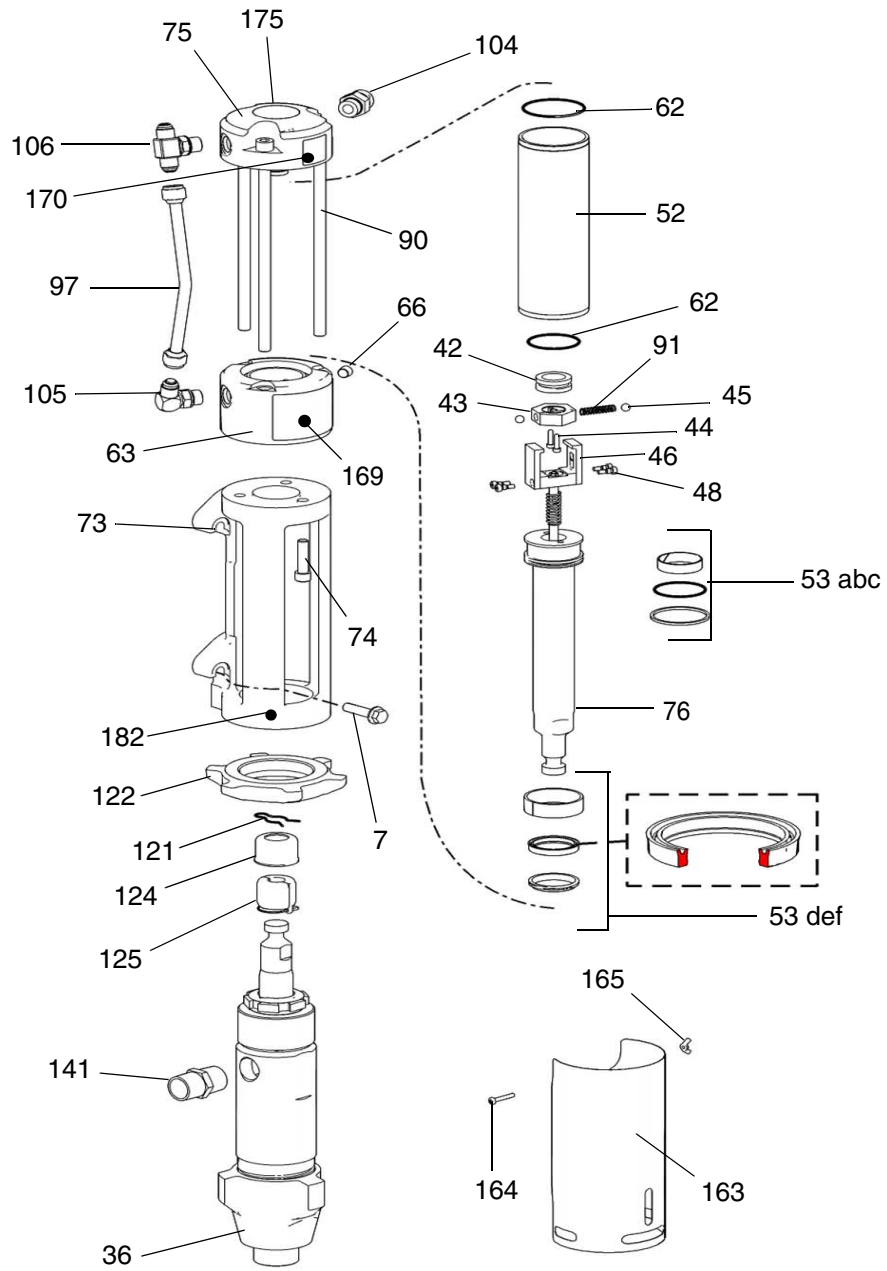
Engine, Hydraulic Pump & Reservoir



Ref.	Part	Description	Qty.	Ref.	Part	Description	Qty.
3	288105	KIT, pump, hydraulic, includes 9, 10, 13, 134, 135, 136	1	108	287871	KIT, hydraulic oil filter, includes 113	1
4	15G812	PULLEY, pump	1	111	15H246	HOUSING, filter	1
6	15G811	PULLEY, drive, engine	1	112	120304	FITTING, nipple	1
9	111193	SCREW, cap, flang hd	2	113	120315	O-RING	1
10	112958	NUT, hex, flanged	2	134	117560	SCREW, set, socket hd	1
13	15B438	KNOB, pressure	1	135	15A464	LABEL, control	1
14	119971	FAN	1	136	15G767	COLLAR, locking, pressure knob	1
19	120172	BELT, poly-V	11	139	801137	KEY, engine pulley	1
24	116596	SCREW, cap, hex, hd	1	152	120175	FITTING, ball valve	1
27	116915	CAP, breather/fill	1	155	15H247	CAP, filter housing	1
30	120066	FITTING, elbow, hydraulic	1	174	15G908	LABEL, hdry lever ON/OFF	1
31	120064	FITTING, elbow, hydraulic	1	180▲	189285	LABEL, caution	1
34	116793	FITTING, elbow, hydraulic	1	181	198585	LABEL, hydraulic fluid	1
35	120067	FITTING, elbow, hydraulic	1	205	183401	KEY, pump pulley	1
64	15G545	RESERVOIR, painted	1	208	287100	KIT, SEAL, COMPENSATOR, includes 208a, 208b, 208c, 208d	1
65	100731	WASHER	1	208a		O-RING, OVAL	1
86	110963	SCREW, cap, flng hd	4	208b		GASKET, COMP/BLOCK	1
87	100002	SCREW, set, sch	3	208c		O-RING	1
98	15G784	HOSE, coupled	1	208d		GASKET, BLOCK/COVER	1
99	15G782	HOSE, coupled	1				
103	120063	FITTING,	1				
107	120140	VALVE, ball	1				

▲ Replacement Danger and Warning labels, tags, and cards are available at no cost.

Pump Stackup & Hydraulic Motor

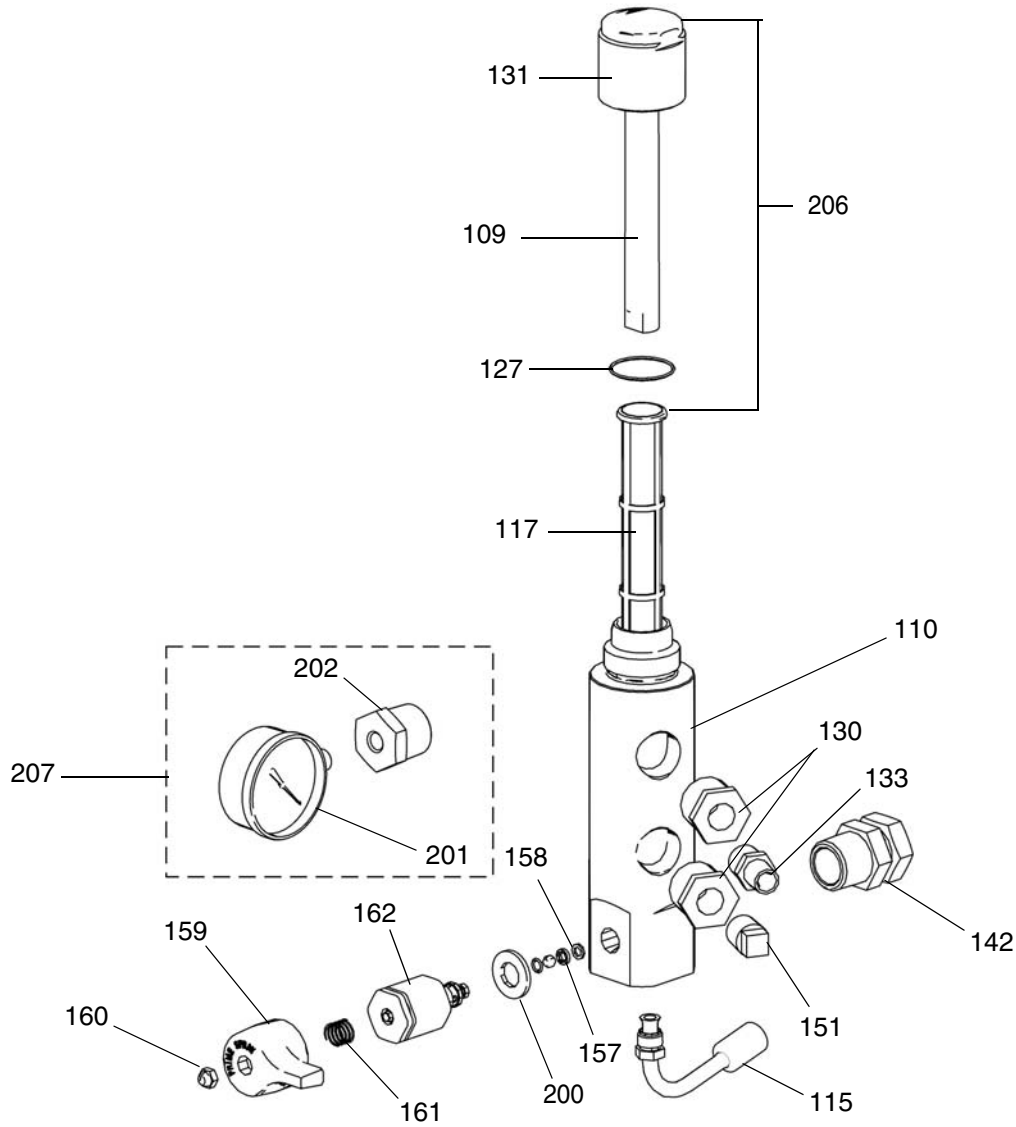


Ref.	Part	Description	Qty.	Ref.	Part	Description	Qty.
7	120226	SCREW, hex hd, flange	4	75	288061	CAP, hydraulic head, includes 175	1
36	287834	KIT, pump, displacement, includes 141 Manual 311485	1	76	287868	PISTON, hydraulic	1
42	15G501	SLEEVE, valve, hydr, motor	1	90	120138	SCREW, cap, socket head	3
43	15G503	STOP, valve, hydraulic motor	1	91	120146	SPRING, compression	1
44	15D256	SCREW, cap, sch	2	97	287841	TUBE	1
45	101947	BALL, bearing	2	104	120065	FITTING, hydraulic	1
46	15G270	YOKE, arm, hydraulic motor	2	105	117607	FITTING, elbow std thd	1
48	105270	SCREW, shoulder, sch	4	106	117609	FITTING, tee, branch, str thd	1
52	287869	CYLINDER, hydraulic motor	1	121	116407	CLIP, hairpin	1
53	287870	KIT, repair, packing, hydraulic, includes 62	1	122	15G204	NUT, retaining	1
53a		BEARING, piston		124	197340	COVER, coupler	1
53b		O-RING, piston		125	244819	COUPLING, assembly	1
53c		SEAL, piston, hydraulic motor		141	15H335	FITTING, nipple, 1 in. npt,	1
53d		SEAL, rod		169▲	15G877	LABEL, front	1
53e		BEARING, rod		170▲	15G878	LABEL, Graco logo	1
53f		WIPER, rod		175▲	15B063	LABEL, included with 75	1
62	116084	PACKING, o-ring	2	163‡	15H201	SHIELD, pump	1
63	15G559	HOUSING, hydraulic motor, lower	1	164‡	111235	SCREW, mach, pnh	1
66	101970	PLUG, pipe	1	165‡	120317	NUT, wing	1
73	15G639	ADAPTER, hydraulic motor/pump	1	182▲	192840	LABEL, warning	1
74	120202	SCREW, cap sch	3				

▲ Replacement Danger and Warning labels, tags, and cards are available at no cost.

‡ Use on models 253471 and 253472 only.

Filter



Ref.	Part	Description	Qty.	Ref.	Part	Description	Qty.
109	15C766	TUBE, diffusion	1	160	116424	NUT, cap	1
110	15G649	BASE, filter	1	161	114708	SPRING, compression	1
115	245440	KIT, hose, drain	1	162	245103	KIT, valve, drain, includes 157, 158, 159, 160, 161, 162, 200	1
117	244067	FILTER, fluid	1	200	114797	GASKET	1
127	117285	PACKING, o-ring	1	201	102814	GAUGE	1
130	124488	BUSHING, pipe	2	202	119969	FITTING, reducer	1
131	15C765	CAP, filter	1	206	287285	KIT, cap filter, includes 109, 127, 131	1
133	16F255	FITTING, nipple, rdcg	1	207‡	288097	KIT, gauge kit, includes 201, 202	1
142	287968	FITTING, union, adapter	1				
151	124489	PLUG, pipe	1				
157	193709	SEAT, valve	1				
158	193710	SEAL, seat, valve	1				
159	15G563	HANDLE, valve	1				

‡ Use on models 253471 and 253472 only.

Warranty

Graco warrants all equipment referenced in this document which is manufactured by Graco and bearing its name to be free from defects in material and workmanship on the date of sale to the original purchaser for use. With the exception of any special, extended, or limited warranty published by Graco, Graco will, for a period of twelve months from the date of sale, repair or replace any part of the equipment determined by Graco to be defective. This warranty applies only when the equipment is installed, operated and maintained in accordance with Graco's written recommendations.

This warranty does not cover, and Graco shall not be liable for general wear and tear, or any malfunction, damage or wear caused by faulty installation, misapplication, abrasion, corrosion, inadequate or improper maintenance, negligence, accident, tampering, or substitution of non-Graco component parts. Nor shall Graco be liable for malfunction, damage or wear caused by the incompatibility of Graco equipment with structures, accessories, equipment or materials not supplied by Graco, or the improper design, manufacture, installation, operation or maintenance of structures, accessories, equipment or materials not supplied by Graco.

This warranty is conditioned upon the prepaid return of the equipment claimed to be defective to an authorized Graco distributor for verification of the claimed defect. If the claimed defect is verified, Graco will repair or replace free of charge any defective parts. The equipment will be returned to the original purchaser transportation prepaid. If inspection of the equipment does not disclose any defect in material or workmanship, repairs will be made at a reasonable charge, which charges may include the costs of parts, labor, and transportation.

THIS WARRANTY IS EXCLUSIVE, AND IS IN LIEU OF ANY OTHER WARRANTIES, EXPRESS OR IMPLIED, INCLUDING BUT NOT LIMITED TO WARRANTY OF MERCHANTABILITY OR WARRANTY OF FITNESS FOR A PARTICULAR PURPOSE.

Graco's sole obligation and buyer's sole remedy for any breach of warranty shall be as set forth above. The buyer agrees that no other remedy (including, but not limited to, incidental or consequential damages for lost profits, lost sales, injury to person or property, or any other incidental or consequential loss) shall be available. Any action for breach of warranty must be brought within two (2) years of the date of sale.

GRACO MAKES NO WARRANTY, AND DISCLAIMS ALL IMPLIED WARRANTIES OF MERCHANTABILITY AND FITNESS FOR A PARTICULAR PURPOSE, IN CONNECTION WITH ACCESSORIES, EQUIPMENT, MATERIALS OR COMPONENTS SOLD BUT NOT MANUFACTURED BY GRACO. These items sold, but not manufactured by Graco (such as electric motors, switches, hose, etc.), are subject to the warranty, if any, of their manufacturer. Graco will provide purchaser with reasonable assistance in making any claim for breach of these warranties.

In no event will Graco be liable for indirect, incidental, special or consequential damages resulting from Graco supplying equipment hereunder, or the furnishing, performance, or use of any products or other goods sold hereto, whether due to a breach of contract, breach of warranty, the negligence of Graco, or otherwise.

ADDITIONAL WARRANTY COVERAGE

Graco does provide extended warranty and wear warranty for products described in the "Graco Contractor Equipment Warranty Program".

Graco Information

For the latest information about Graco products, visit www.graco.com.

TO PLACE AN ORDER, contact your Graco distributor or call 1-800-690-2894 to identify the nearest distributor.

*All written and visual data contained in this document reflects the latest product information available at the time of publication.
Graco reserves the right to make changes at any time without notice.*

Original instructions. This manual contains English. MM 311484

Graco Headquarters: Minneapolis
International Offices: Belgium, China, Japan, Korea
GRACO INC. P.O. BOX 1441 MINNEAPOLIS, MN 55440-1441

Copyright 2006, Graco Inc. is registered to ISO 9001
www.graco.com
Revised 06/2011